

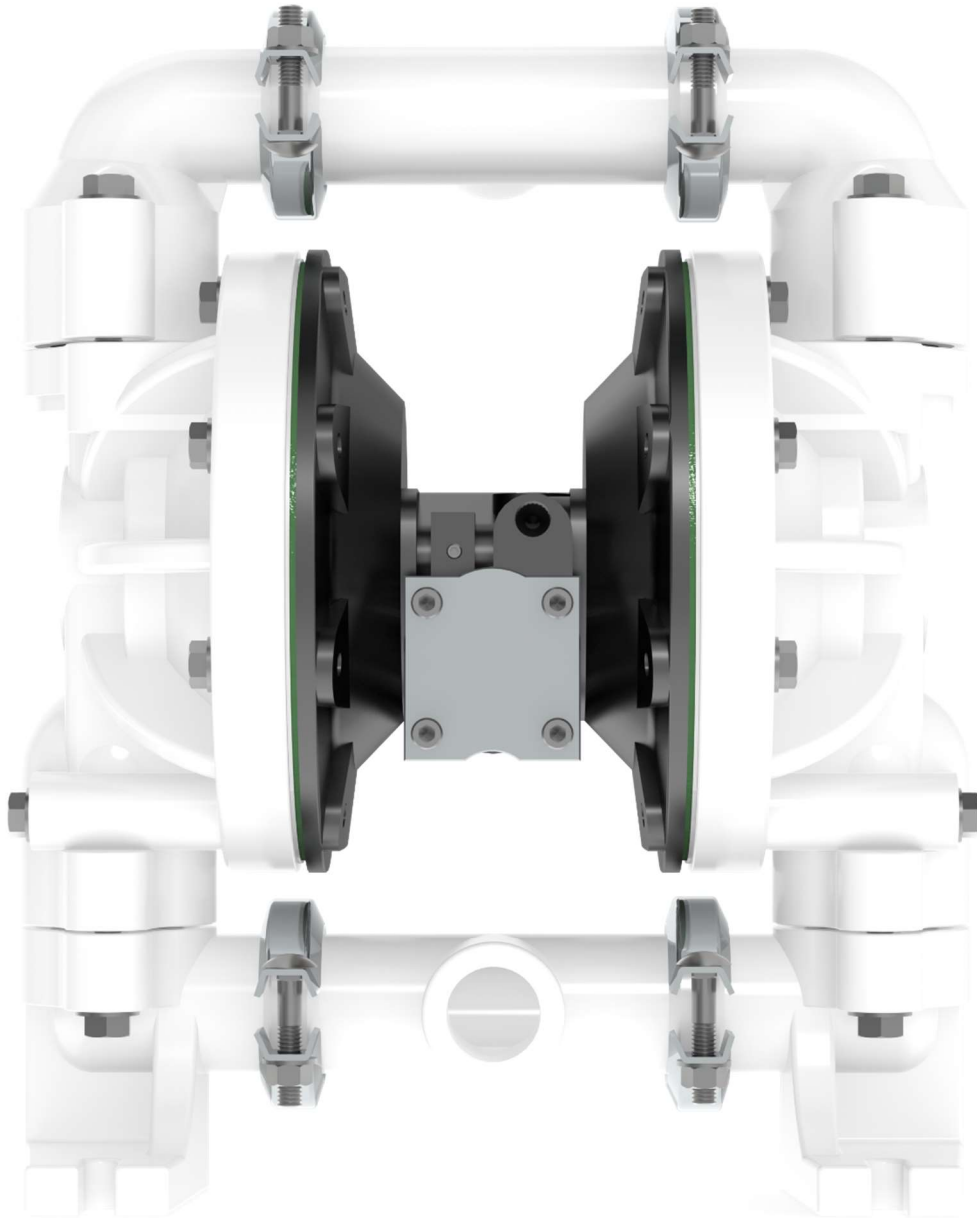


**AIR OPERATED
DOUBLE
DIAPHRAGM
PUMPS**



ISO 9001: 2008
ISO 14001: 2004

pricepumps.co.in



1" POLYPROPYLENE PUMP AOD 300 AF PPAA/TEF/TF/P/V

pricepumps.co.in



AIR OPERATED DOUBLE DIAPHRAGM PUMPS



ISO 9001: 2008
ISO 14001: 2004

pricepumps.co.in

SECTION 1- LEGEND

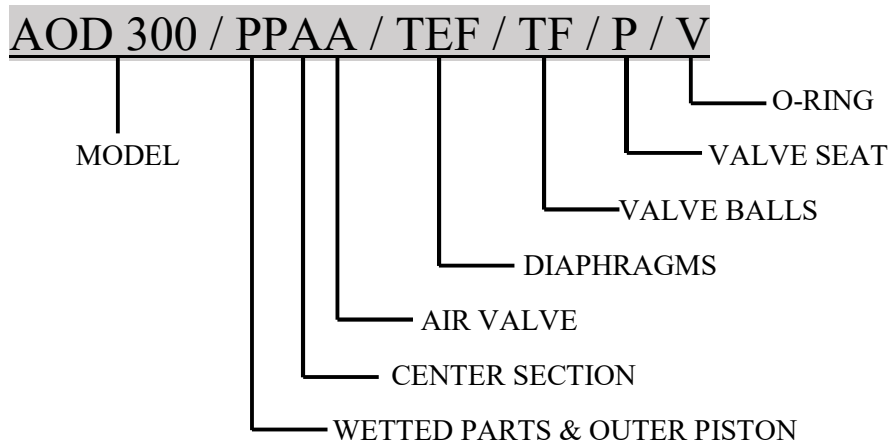
1" POLYPROPYLENE PUMP

AOD 300/PPAA/TEF/TF/P/V

MODEL: AOD 300 AF POLYPROPYLENE

25mm (1") Pump

Maximum Flow Rate: 178 Lpm (47 gpm)



MATERIAL CODES

MODEL
AOD 300 = 1" PUMP

AIR VALVE
A = ALUMINIUM

VALVE BALL
TF = TEFLON

WETTED PARTS & OUTER PISTON
PP = POLYPROPYLENE/
POLYPROPYLENE

DIAPHRAGMS
TEF = TEFLON

VALVE SEAT
P = POLYPROPYLENE

CENTER SECTION
A = ALUMINIUM

VALVE SEAT O-RING
V = VITON



AIR OPERATED DOUBLE DIAPHRAGM PUMPS



ISO 9001: 2008
ISO 14001: 2004

pricepumps.co.in

SECTION 2 – SPARE PART LIST

1” POLYPROPYLENE PUMP

AOD 300/PPAA/TEF/TF/P/V

SR No.	DISCRIPTION	PART No	QTY
1	LIQUID CHAMBER	30-1001-20	2
2	SUCTION BEND	30-2142-20	2
3	DISCHARGE BEND	30-2152-20	2
4	SUCTION DISCHARGE TEE	30-1201-20	2
5	TEE O RING	30-3146-53	4
6	MANIFOLD O RING	30-3101-53	4
7	SEAT O RING	15-3121-53	4
8	NRV BALL	30-1041-55	4
9	BALL SEAT	30-1061-20	4
10	BALL CAGE	30-1091-20	4
11	TEE CLAMP	30-1211-03	8
12	HOLDING PLATE	A30-1111-03	2
13	LOCK NUT	A30-1131-20	2
14	DIAPHRAGM	30-2001-55	2
15	BACK UP DIAPHRAGM	30-2102-58	2
16	CENTER BLOCK	A30-1301-01	1
17	SLEEVE	A30-0004-XX	1
18	SLEEVE O RING	A30-0005-51	2
19	SLEEVE RETAINING RING	A30-1584-61	2
20	MAIN SHAFT	A30-1341-03	1
21	MAIN SHAFT O RING	A30-0008-51	1
22	PILOT SHAFT	A30-1451-03	1
23	SPACER	A15-1491-01	3
24	SPACER O RING	A15-3176-56	4
25	PILOT SLEEVE BUSHING	A30-0012-07	2
26	PILOT SHAFT LOCK O RING	A30-3181-51	2



AIR OPERATED DOUBLE DIAPHRAGM PUMPS



ISO 9001: 2008
ISO 14001: 2004

pricepumps.co.in

SECTION 2 – SPARE PART LIST (CONTINUED...)

1" POLYPROPYLENE PUMP

AOD 300/PPAA/TEF/TF/P/V

SR No.	DISCRIPTION	PART No	QTY
27	PISTON	A30-1525-01	1
28	PISTON SPACER	A30-1541-01	4
29	PISTON SPACER BIG	A30-1542-01	1
30	PISTON SPACER WASHER	A30-1543-01	5
31	PISTON SPACER O RING SMALL	A30-3212-51	5
32	PISTON SPACER O RING BIG	A30-3211-51	6
33	PISTON BLOCK O GASKET	A30-0020-51	1
34	PISTON BLOCK U GASKET	A30-0021-51	1
35	PISTON BLOCK PLATE	A30-0022-03	2
36	PISTON BLOCK CAP	A30-1571-20	1
37	PISTON BLOCK CAP U CUP	A30-3266-51	1
38	M 8 X 1½" SS CHAMBER BOLTS	04-6046-03	12
39	M 8 X 4" CHAMBER BOLTS BIG	04-6047-03	4
40	3/8" X 1½" HEX BOLTS SS (SUCTION)	04-6017-03	4
41	3/8" X 60 MM HEX BOLTS SS (DISCHARGE)	04-6022-03	4
42	SLEEVE BUSHING SCREW SS	A30-6322-03	4
43	¼" X 42 MM CARRIAGE BOLTS SS (TEE CLAMP)	04-6034-03	8
44	¼ SS HEX NUT	04-6302-03	8
45	5/16 X 20 X 2 MM SS WASHER	04-6216-03	32
46	3/8 X 25 X 3 MM MS WASHER (SUC/DIS)	04-6212-61	8
47	M 6 X 20 MM SS P B ALLEN BOLT	04-6040-03	8
48	¼ X 12.5 X 1.2 MM SS WASHER (P B ALLEN BOLT)	04-6202-03	8
49	EXHAUST MS 300 ARO	A30-1366-61	1



AIR OPERATED DOUBLE DIAPHRAGM PUMPS



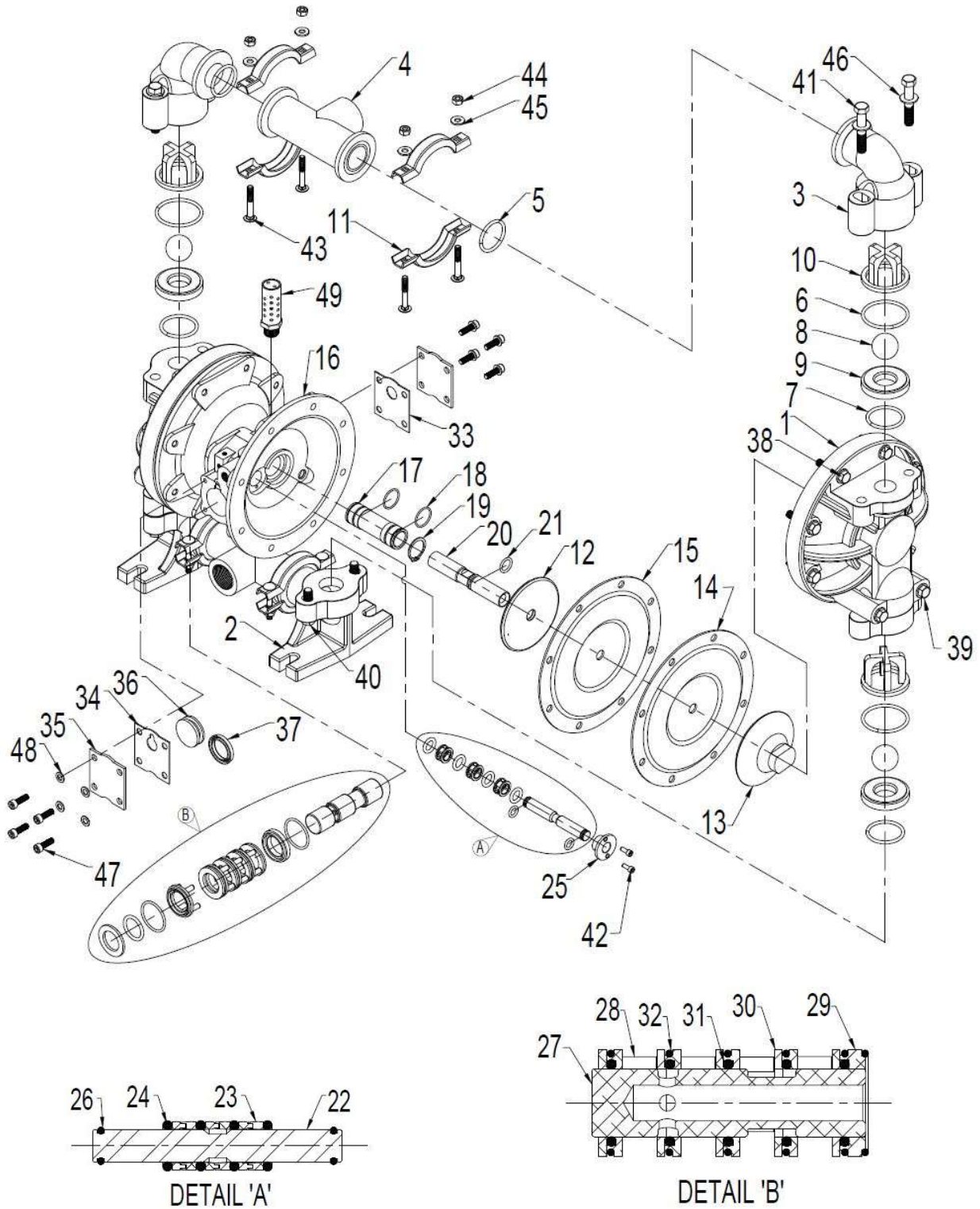
ISO 9001: 2008
ISO 14001: 2004

pricepumps.co.in

SECTION 3 – EXPLODED VIEW

1" POLYPROPYLENE PUMP

AOD 300/PPAA/TEF/TF/P/V





AIR OPERATED DOUBLE DIAPHRAGM PUMPS



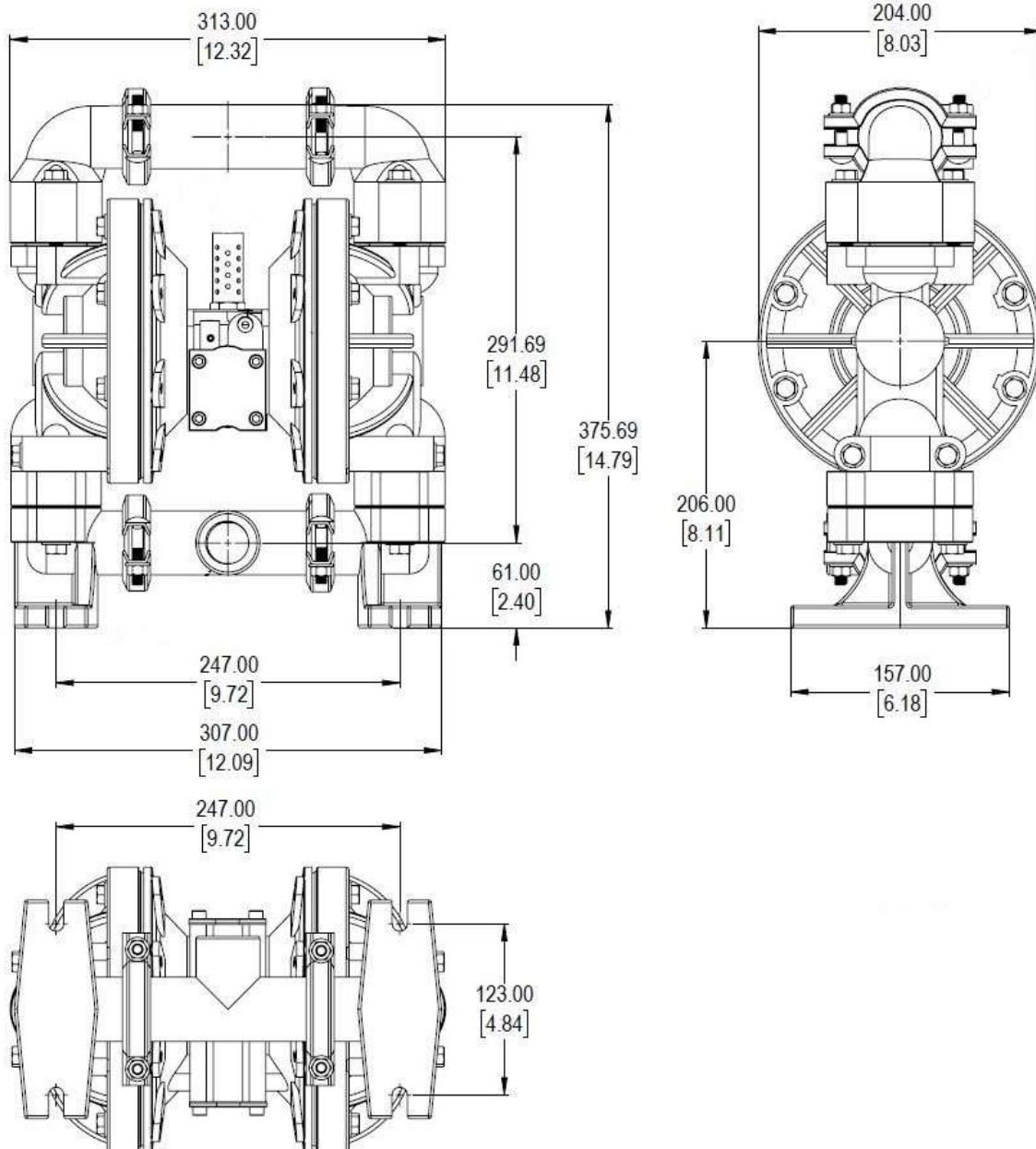
ISO 9001: 2008
ISO 14001: 2004

pricepumps.co.in

SECTION 4 – DIMENSIONAL DRAWING

1" POLYPROPYLENE PUMP

AOD 300/PPAA/TEF/TF/P/V





AIR OPERATED DOUBLE DIAPHRAGM PUMPS



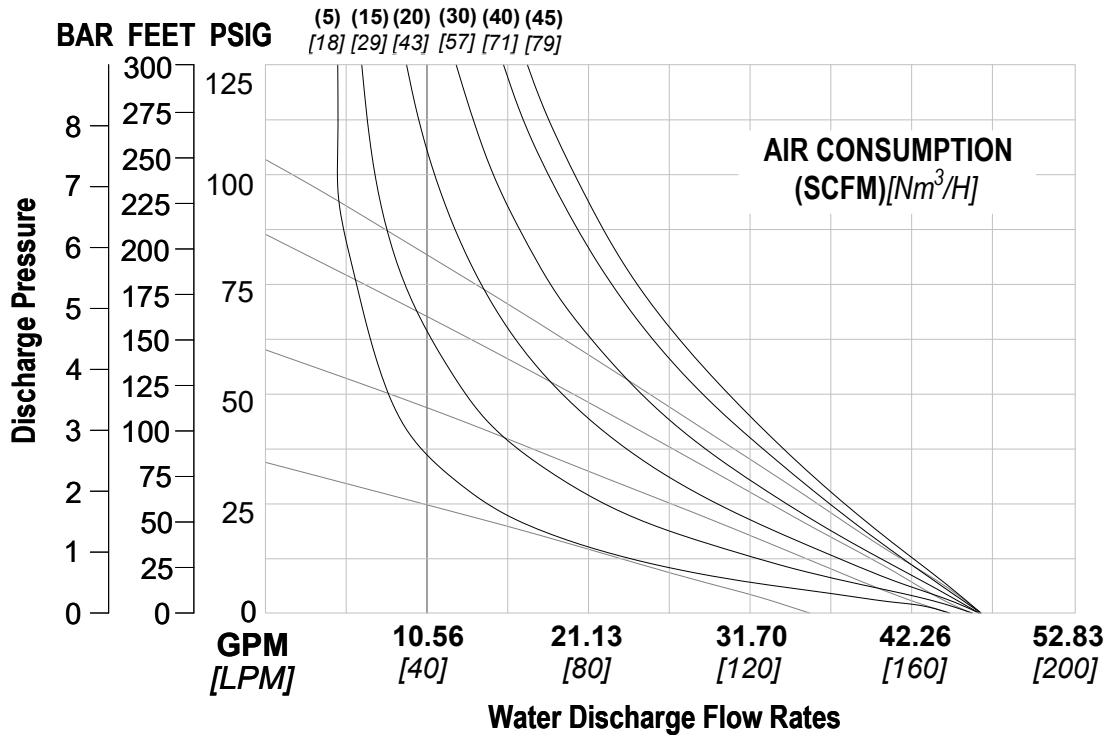
ISO 9001: 2008
ISO 14001: 2004

pricepumps.co.in

SECTION 5 – SPECIFICATION & PERFORMANCE

1" POLYPROPYLENE PUMP

AOD 300/PPAA/TEF/TF/P/V



SPECIFICATIONS:

MAX FLOW RATE:	178 Lpm (47 gpm)
MAX AIR PRESSURE:	120 psi (8.3 bar)
AIR INLET:	6 mm (1/4" BSP)
PORT INLET:	25 mm (1" BSP)
DISCHARGE:	25 mm (1" BSP)
MAX PARTICLE SIZE:	(Dia) 3.17 mm (1/8")
AIR EXHAUST:	(3/8" BSP)

SHIPPING DIMENSIONS:

HEIGHT:	440 mm (17.32")
WIDTH:	310 mm (12.20")
LENGTH:	370 mm (14.57")
WEIGHT:	11 Kgs

Price Pumps meet ISO 9001-2015, ISO 14001 & CE quality standards.



**AIR OPERATED
DOUBLE
DIAPHRAGM
PUMPS**



ISO 9001: 2008
ISO 14001: 2004

pricepumps.co.in

NOTES: